



The MRB™ Machined Reverse Buckling Disks

BSBSystems.com | BSB.ie

Visit our website for the most complete, up-to-date information



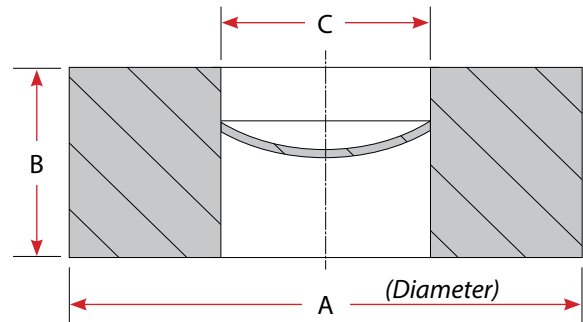
With its one piece leak-tight design, the MRB reverse buckling disk is ideal for high pressure applications.

Features

- Standard sizes: 3/8 inch (9mm) and up
- Pressure ratings available up to 55,000 psig (3,800barg)
- Opens full bore with no flow restrictions
- Design assures long service life with a very high resistance to fatigue
- Operates up to 90% of disk pressure rating

Benefits

- Accurate and reliable burst ratings
- Superior performance in cycling service
- Withstands full vacuum
- Standard and custom holder designs are available
- Non-torque sensitive



Pressure ratings at 72°F (22°C) for gas or vapor service

Disk Size		Disk Material*							
		Hasteloy® C-276				Inconel® 600			
		min		max		min		max	
in	mm	psig	barg	psig	barg	psig	barg	psig	barg
3/8	9	4,300	296	49,000	3,378	4,500	310	55,000	3,792
1/2	13	3,800	262	48,000	3,309	4,000	275	54,000	3,723
5/8	16	3,500	241	46,000	3,171	3,500	241	52,000	3,585
3/4	19	2,900	200	44,000	3,033	3,100	213	49,000	3,378
1	24	2,500	172	39,000	2,689	2,500	172	43,000	2,965

Nominal Size		A		B		C	
in	mm	in	mm	in	mm	in	mm
3/8	9	1.0	24.5	0.38	9.5	0.32	8.0
1/2	13	1.0	25.4	0.38	9.5	0.50	12.7
5/8	16	1.3	31.8	0.38	9.5	0.63	15.8
3/4	19	1.5	38.0	0.50	12.7	0.75	19.1
1	25	2.0	50.8	0.63	15.8	1.00	25.4

Products, specifications and all data in this literature are subject to change without notice. Questions regarding product selection and specifications for specific applications should be directed to BS&B. All sales are subject to the BS&B companies' standard terms and conditions of sale. Nothing herein should be construed as a warranty of merchantability or fitness for a particular purpose.

BSBSystems.com | BSB.ie

Visit our website for the most complete, up-to-date information

Products, specifications and all data in this literature are subject to change without notice. Questions regarding product selection and specifications for specific applications should be directed to BS&B. All sales are subject to the BS&B companies' standard terms and conditions of sale. Nothing herein should be construed as a warranty of merchantability or fitness for a particular purpose.

Tulsa, OK USA

T: +1 918 622 5950
F: +1 918 665 3904
E: sales@bsbsystems.com

Limerick, Ireland

T: +353 61 484700
F: +353 61 304774
E: sales@bsb.ie